



Description:

The Eureka Excavator Solutions with both WATER JET and CUTTER function can be used in soft and hard layers for the cleaning of rivers and ponds.

The main advantage is the submersible dredge pump which is located on the excavator to generate the highest efficiency. Another advantage of this excavator solution is the possibility for the changing of the dredge system during work.

So this Excavator Solution is the perfect machine to dredge in an environment with a changing soil.

Dredger range:		Excavator 150	Excavator 200	Excavator 250	Excavator 300	Excavator 350
Suction depth up to	[m]	12	12	12	12	12
Mixture	[m ³ /hr]	450	850	1250	1900	2300
Solid material*	[m ³ /hr]	58	109	160	244	295
Solid material*	[ton/hr]	101	191	281	427	517
Total power**	[kW]	100	185	255	425	470
Suction pipe Ø	[mm]	200	200	250	300	350
Delivery pipe Ø	[mm]	150	200	250	300	350
Spherical passage	[mm]	100	110	130	150	190
Waterjet flow	[m ³ /hr]	100	150	200	250	250
Waterjet pressure	[bar]	7	7	7	7	8
Cutter diameter	[mm]	8	450	550	650	700
Dry weight pump unit	[ton]	1.1	1.6	2.5	4.0	4.3
Excavator weight	[ton]	14	25	34	70	70
Dimensions	[m]	Custom	Custom	Custom	Custom	Custom

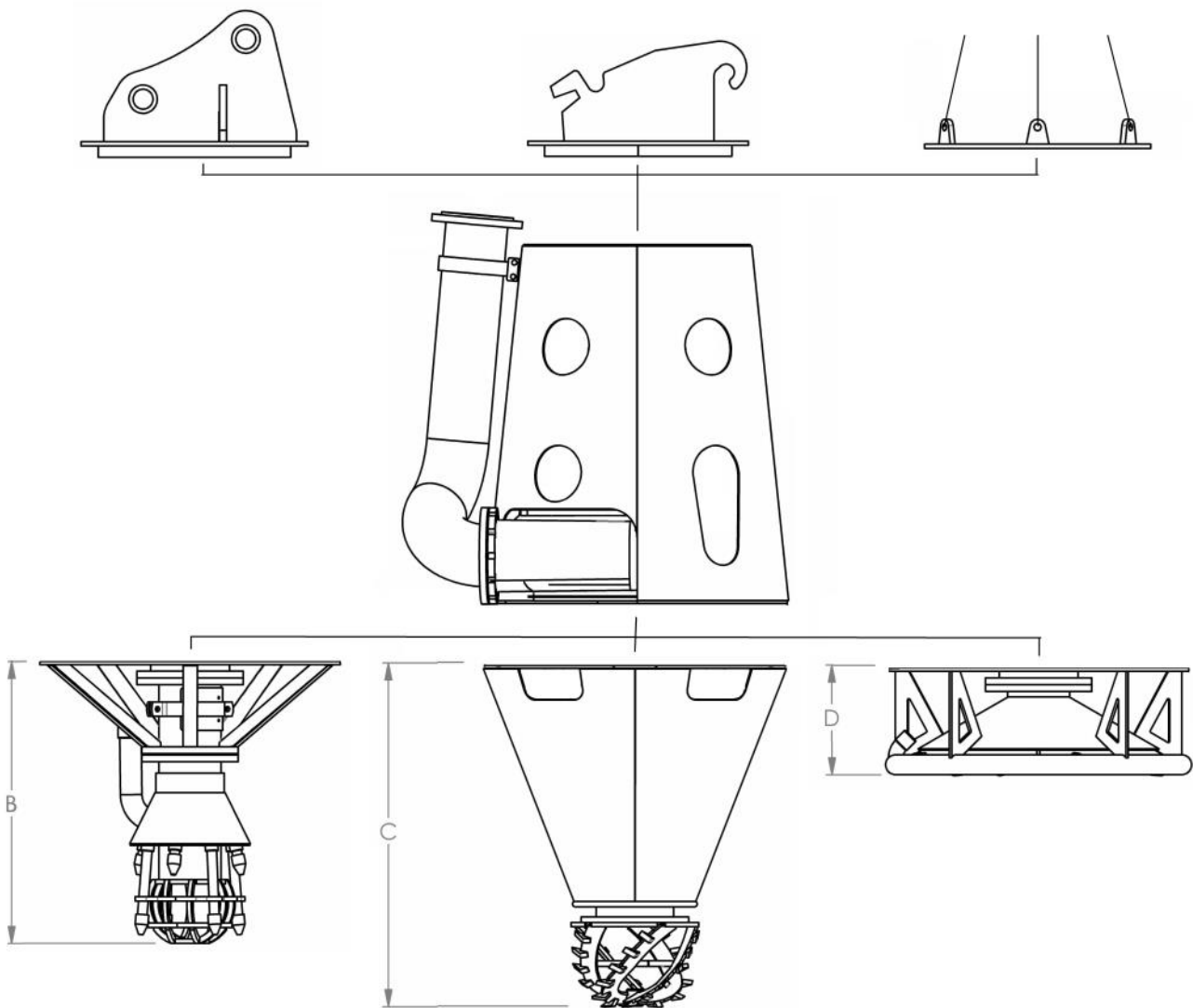
*Solid material = 70% < 2 mm 20% 2 - 32 mm 10% > 32 mm **Power = A-rating or Electric

Options:

Cutter	Option	Option	Option	Option	Option
Water jet	Option	Option	Option	Option	Option
Barge	Option	Option	Option	Option	Option
Auger	Option	Option	Option	Option	Option
Hydropack	Option	Option	Option	Option	Option
Waterpump	Option	Option	Option	Option	Option

Excavator Solutions

Main dimensions:



Delivery Pipe



Water Jet Pump



Hydraulic Power Pack



Marsh crawler

EUREKA

www.eureka-bv.com

Maasstraat 3
NL-7071 VR ULFT
The Netherlands

Phone : 0 (031) 315 377 608
Fax : 0 (031) 315 377 609
Email : info@eureka-bv.com