



## Submersible Pump ESDP350

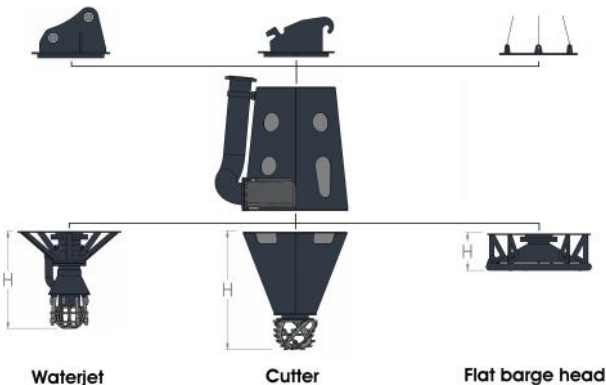
The Eureka dredge pump (EDP) handles a high concentration. It is used under water, powered by excavator or hydraulic power pack. Tools like a cutter head, sand head (water jet), flat barge head, auger head or others can be attached to this compact pump.

### General information:

• Capacity max.	2300	*m <sup>3</sup> /hr
• Pump shaft speed max.	730	*rpm
• Max. power at shaft	330	*kW
• Suction diameter	305	mm
• Pressure diameter	250	mm
• Spherical passage	190	mm
• Blades	5	pcs
• Impeller size	790	mm
• Weight (Hydro)	3650	kg
• Excavator weight	±70	ton

\* at 4½ bar.

### Dredging Tools:



#### Water Jet

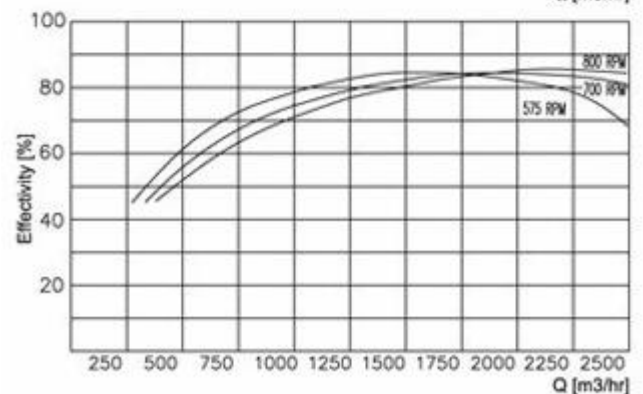
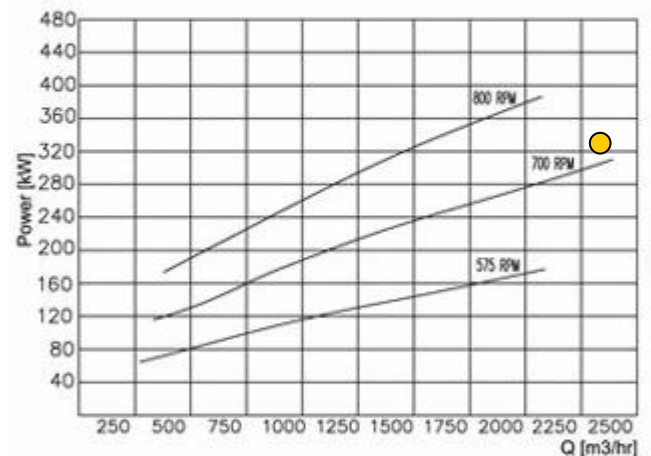
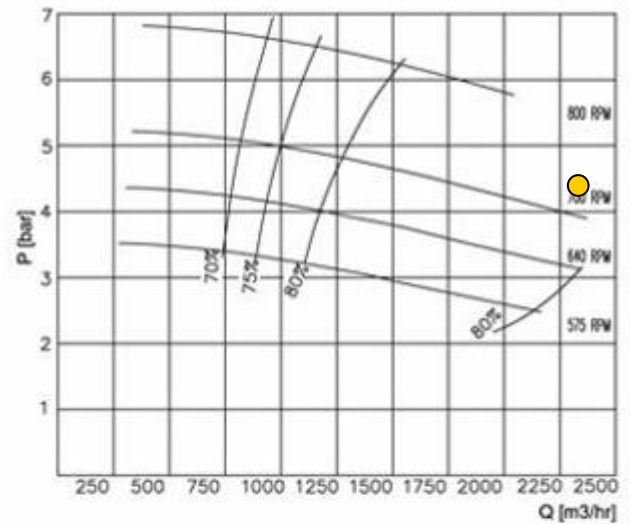
Pressure	8	bar
Water flow	500	l/min
Height	1550	mm

#### Cutter Drive

Max. power at shaft	42	kW
Oil flow	100	l/min
Oil pressure P at motor*	250	bar
Height	1820	mm

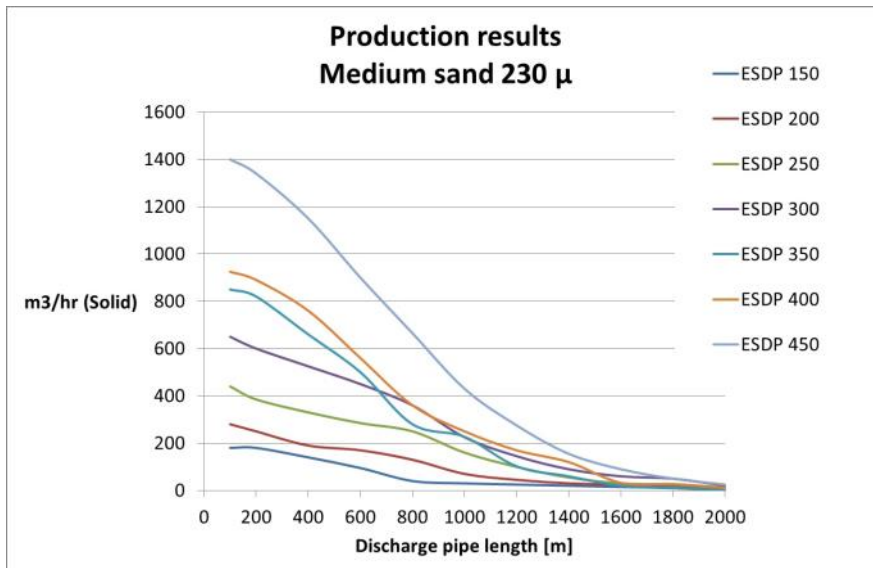
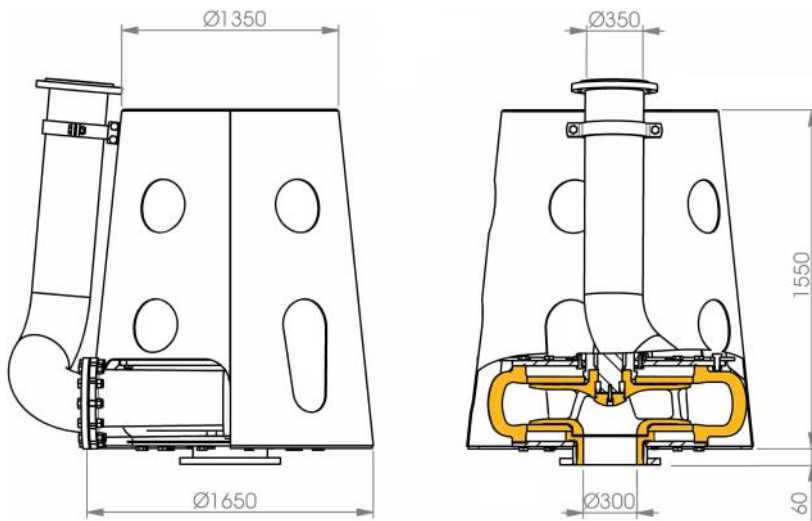
#### Flat Barge Head

Pressure	4-6	bar
Water flow	250	l/min
Height	520	mm



# Submersible Dredge Pump ESDP350

## Main dimensions:



Delivery Pipe



Water Jet Pump



Hydraulic Power Pack



Marsh crawler

# EUREKA

[www.eureka-bv.com](http://www.eureka-bv.com)

Maasstraat 3  
NL-7071 VR ULFT  
The Netherlands

Phone : 0 (031) 315 377 608  
Fax : 0 (031) 315 377 609  
Email : [info@eureka-bv.com](mailto:info@eureka-bv.com)