



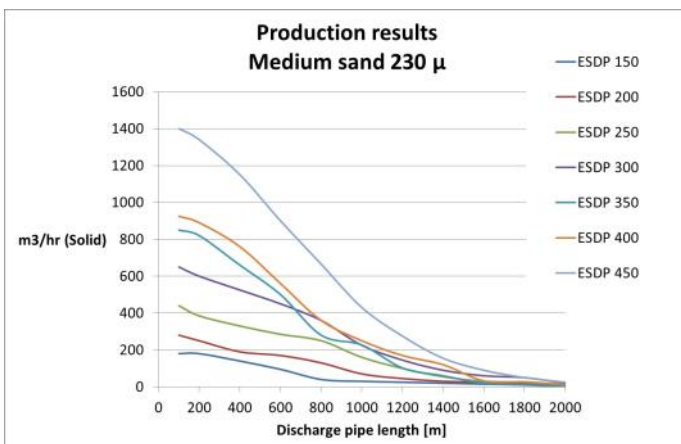
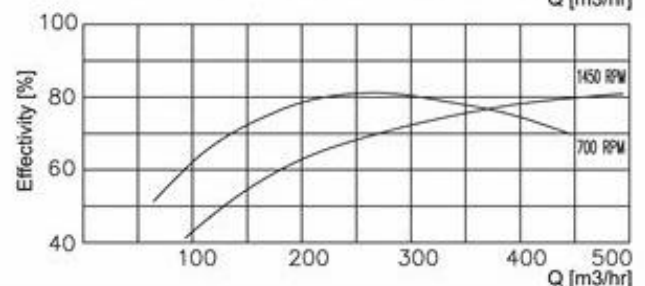
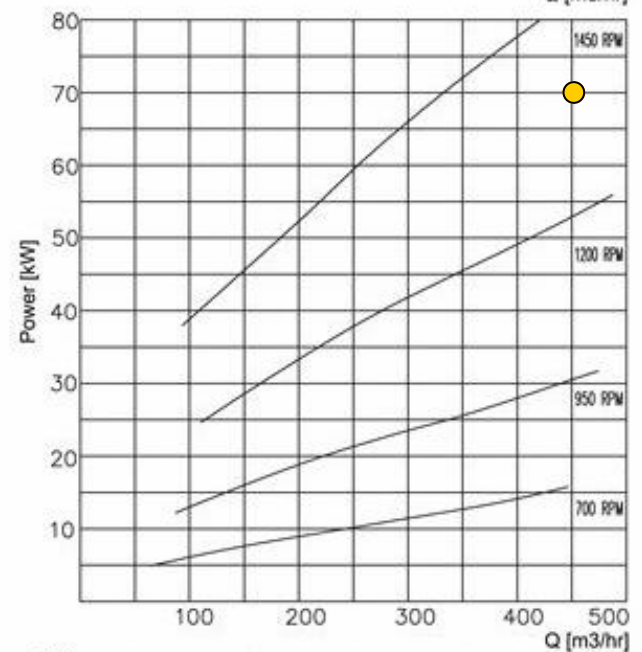
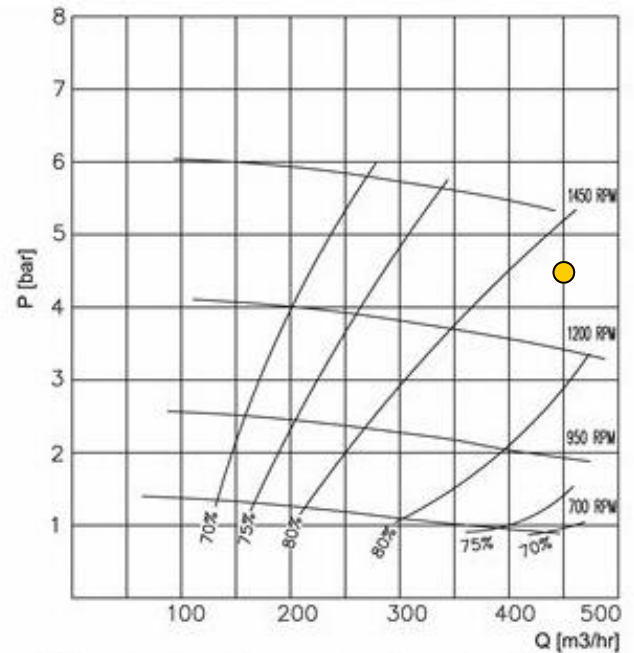
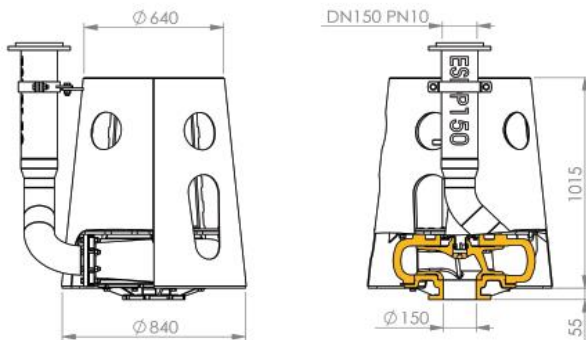
Submersible Dredge Pump ESDP150

The Eureka submersible dredge pump (ESDP) is a high concentration, efficient, wear resistant and low maintenance dredge pump. Its use is for under water purpose in combination with several dredge tools.

General information:

- Max. capacity mixture 450 *m³/hr
- Max. pump speed 1350 *rpm
- Max. power at shaft 70 *kW
- Power source Hydraulic/Electric
- Suction diameter Ø150 mm
- Pressure diameter Ø125 mm
- Spherical passage Ø100 mm
- Impeller blades 3 pcs
- Impeller size 400 mm
- Wear parts Nihard 4 ±65 HRL
- Weight (Hydraulic) 610 kg
- Weight (Electric) kg

* at 4½ bar.(water)



Submersible Dredge Pump ESDP150

Dredging Tools



Water Jet



Soft soil.
Sand, gravel, silt, etc.

Cutter



Soft & hard soil.
Clay, sand, gravel, silt,
rock, etc.



Flat Barge Head



Bulk material.
Sand, gravel, etc.

Water Jet

Jet Pressure	7	bar
Water flow	125	m ³ /hour
Water jet pump:		
Max. power at shaft	45	kW

Cutter Drive

Max. power at shaft	15	kW
Oil flow	45	l/min
Oil pressure P at motor	200	bar

Flat Barge Head

Jet Pressure	4-6	bar
Water flow	100	m ³ /hour
Water jet pump:		
Max. power at shaft	25	kW

Auger Head



Sand, slurry, gravel

Auger Head

Max. power at shaft	15	kW
Oil flow	45	l/min
Oil pressure P at motor	200	bar



Delivery Pipe



Water Jet Pump



Hydraulic Power Pack



Marsh crawler



Maasstraat 3
NL-7071 VR ULFT
The Netherlands

Phone : 0 (031) 315 377 608
Fax : 0 (031) 315 377 609
Email : info@eureka-bv.com