

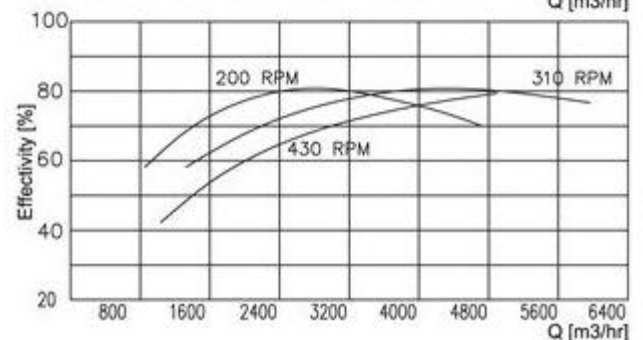
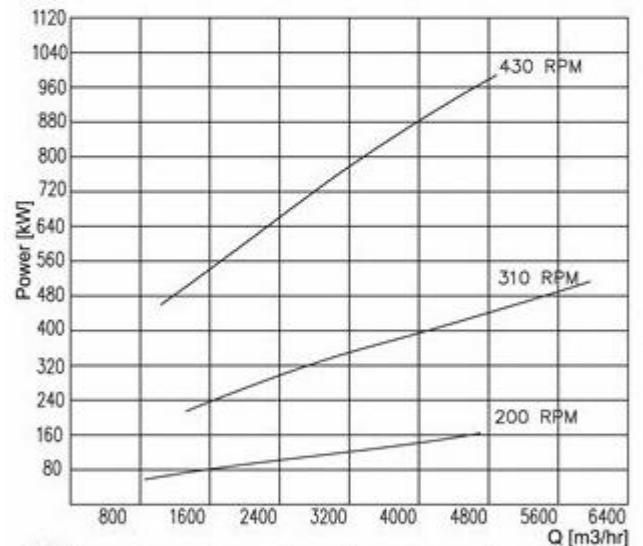
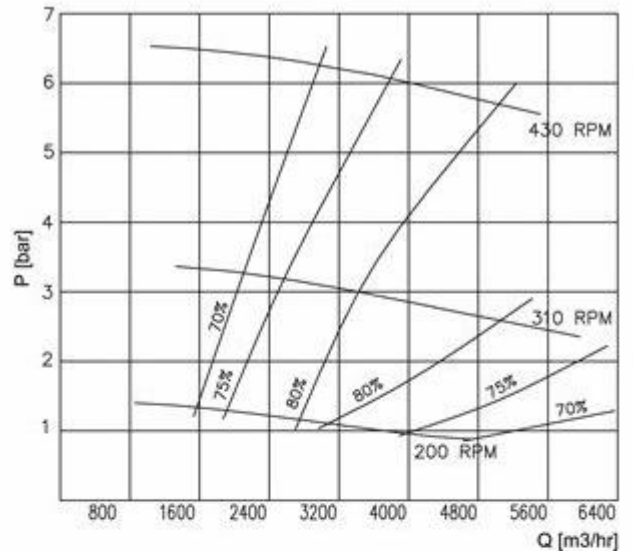
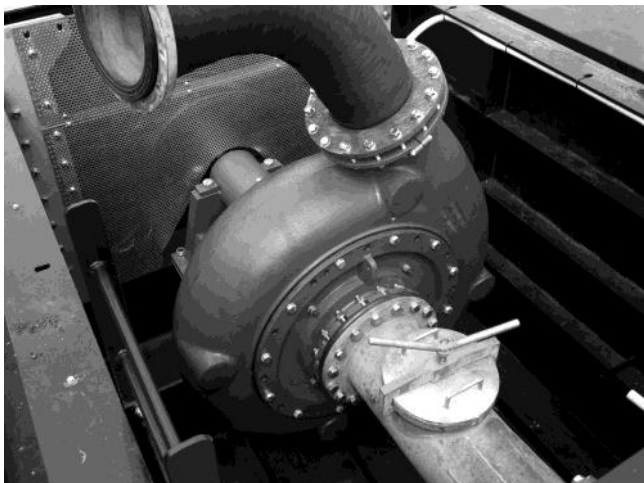
## Dredge Pump EDP550



The Eureka dredge pump (EDP) handles a high concentration. The efficiency is caused by the double curved impeller blades. For use in a dry environment a 60% level is needed to make the pump self-priming. The submersible version has an extra seal set on the drive shaft. The EDP pumps are built from separate wear-resistant parts to exchange wear parts easily and still work cost effective. The standard pumps have adjustable casting positions and can be mounted easily into an existing dredger. The EDP's have a long lifetime, low maintenance, optimum suction capacity and low energy consumption.

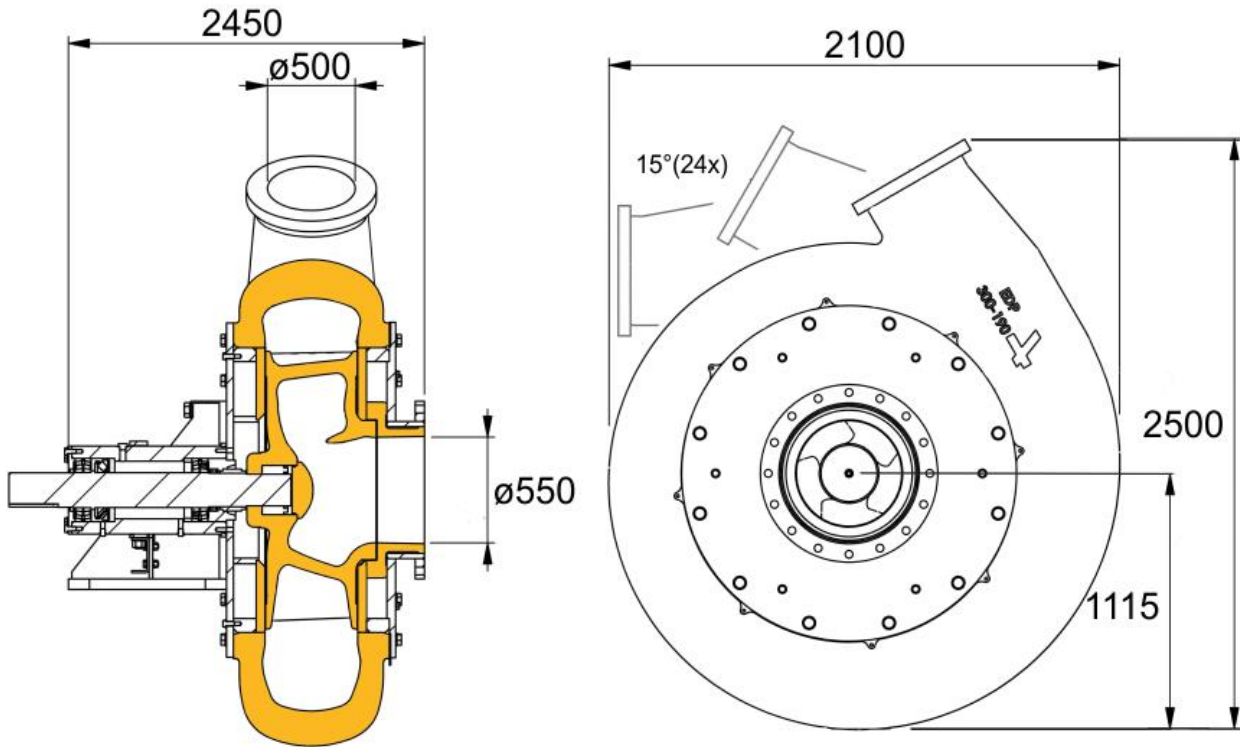
### General information:

- Capacity max. 6000 m<sup>3</sup>/hr
- Work pressure max. 4.5 bar
- Pump shaft speed max. 400 rpm
- Power at shaft max. 960 kW
- Suction diameter 550 mm
- Pressure diameter 500 mm
- Spherical passage 290 mm
- Blades 3 pcs
- Impeller size 1410 mm
- Weight 12700 kg
- Material composition G-X300CrMo15-3  
GS30 Mn5  
Hardox 500



# Dredge Pump EDP550

Main dimensions:



Delivery Pipe



Inspection hole



Cutter dredger Delta



Water jet head

**EUREKA**  
www.eureka-bv.com

Maasstraat 3  
NL-7071 VR ULFT  
The Netherlands

Phone : 0 (031) 315 377 608  
Fax : 0 (031) 315 377 609  
Email : info@eureka-bv.com