

Cutter Head



Description:

This cutter head has a heavy duty cutter body and a low spillage due to an optimum hydraulic design. It is an efficient and reliable tooth system whereby the teeth can be replaced quickly. To minimize the wear the cutter head is completely free during cutting so only the teeth will wear.

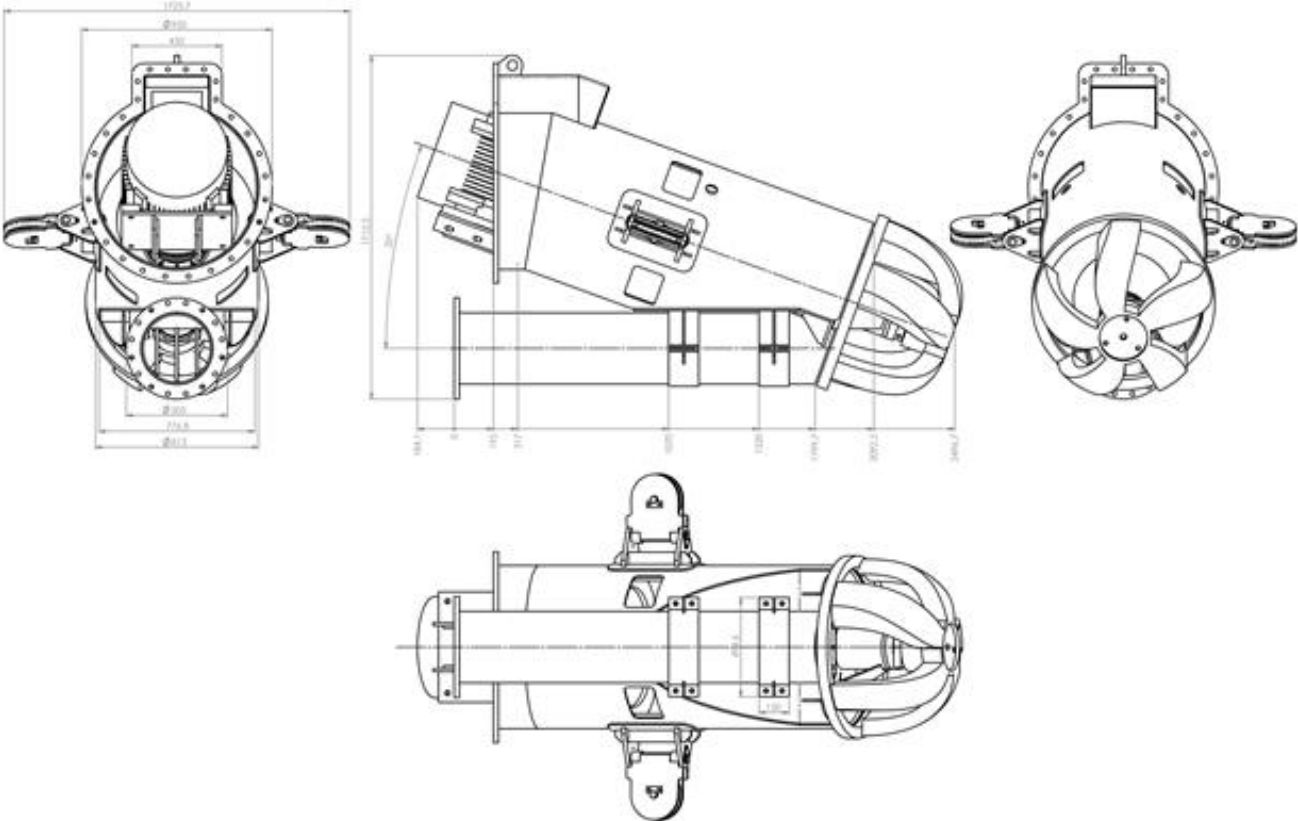
Specifications:

· Cutter head diameter	1700	[mm]	(max)
· Suction pipe diameter	650	[mm]	(max)
· Cutter head power	750	[kW]	(max)
· Cutter head drive	Electric/Hydraulic		
· Cutter head weight	4500	[kg]	(max)
· Cutter head tooth system	SC15		
· Cutter speed	30	[rpm]	(max)
· Diameter of cutter back ring	1615	[mm OD]	(max)
· No. of greasing points	6		
· Weight of unit w/o cutter	8000	[kg]	(max)
· Side wire line pull	100	[kN]	(max)
· Side wire diameter	24	[mm]	(max)



Cutter Head

Main dimensions:



Metal Zodiac



Separation plant



Work pontoons



Conveyers

EUREKA

www.eureka-bv.com

Maasstraat 3
NL-7071 VR ULFT
The Netherlands

Phone : 0 (031) 315 377 608
Fax : 0 (031) 315 377 609
Email : info@eureka-bv.com

All our quotations, all orders placed with us and all contracts concluded with us, are subject to the METAALUNIE CONDITIONS. These conditions are filed with the registrar of the District Court of Rotterdam. Upon request, the conditions of delivery and payment will be sent to you for free as well.